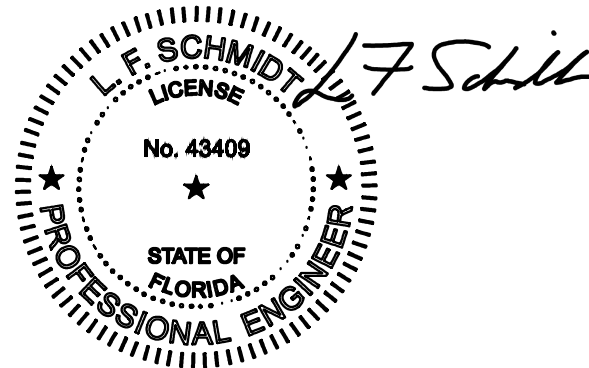


# THERMA-TRU<sup>®</sup> DOORS

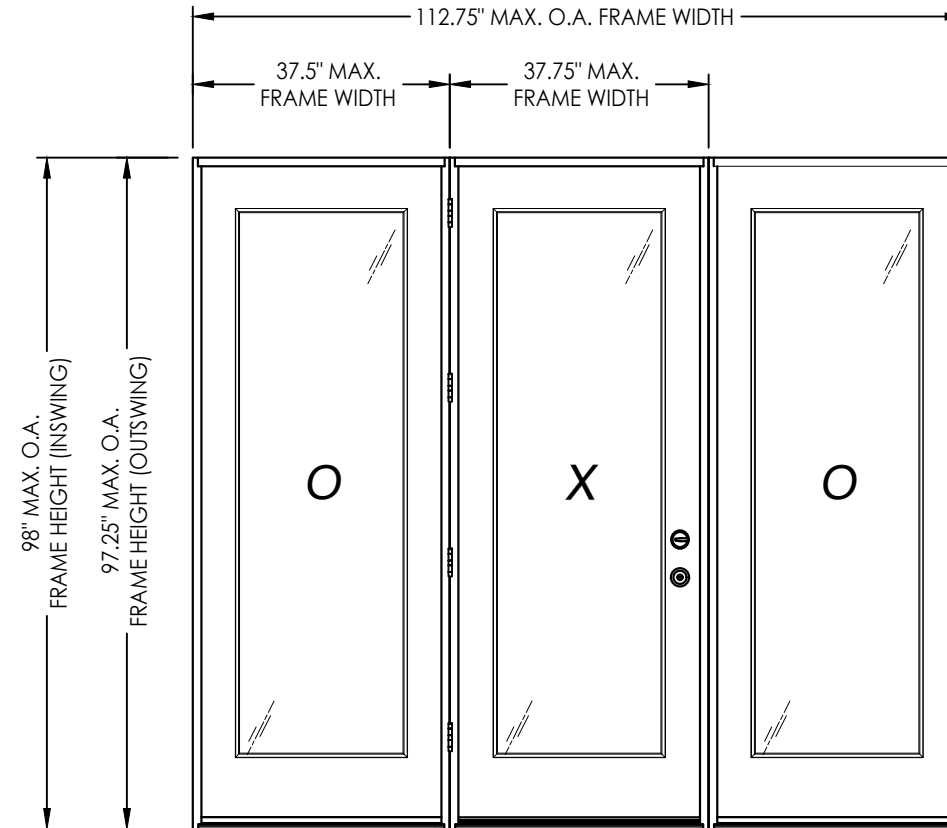
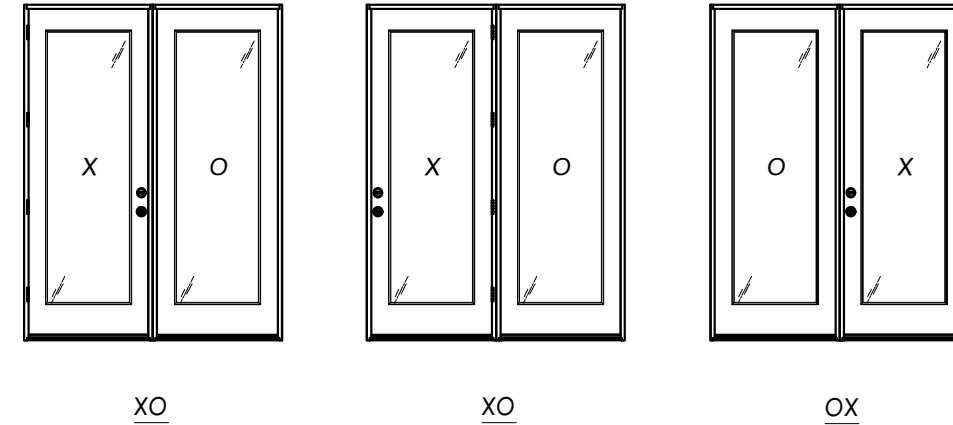
Fiber-Classic<sup>®</sup> & Smooth-Star.

## COMPOSITE EDGE FLUSH GLAZED FIBERGLASS SINGLE DOOR w/ SIDELITE(S) IN SWING/OUT SWING "IMPACT"



This item has been digitally signed and sealed by L. F. Schmidt, P.E. on the date adjacent to the seal. Printed copies of this document are not considered signed and sealed and the signature must be verified on any electronic copies.

THIS PRODUCT APPROVAL IS VALID ONLY FOR THE STATE OF FLORIDA



### GENERAL NOTES

1. This product has been evaluated and is in compliance with the 8th Edition (2023) Florida Building Code (FBC) structural requirements excluding the "High Velocity Hurricane Zone" (HVHZ).
2. Product anchors shall be as listed and spaced as shown on details. Anchor embedment to base material shall be beyond wall dressing or stucco.
3. When used in areas requiring wind borne debris protection this product complies with FBC Sections 1609.1.2 & R301.2.1.2 and does not require an impact resistant covering. This product meets missile level "D" and excludes Wind Zone 4 as defined in ASTM E1996 and FBC Sections 1609.1.2.2 & R301.2.1.2.1.
4. For 2x stud framing construction, anchoring of these units shall be the same as that shown for 2x buck masonry construction.
5. Site conditions that deviate from the details of this drawing require further engineering analysis by a licensed engineer or registered architect.
6. Fiber-Classic & Smooth-Star Door panel require the use of "J" part numbers and must be stained or painted within six months of installation.

### TABLE OF CONTENTS

SHEET #	DESCRIPTION	SHEET #	
1	Typical Elevations, Design Pressures & General Notes	8	Horizontal Cross Sections
2	Door Panel Details	9	Vertical Cross Sections (Thresholds)
3	Sidelite Panel & Glazing Details	10	Buck Anchoring
4	Elevations	11	Frame Anchoring
5	Horizontal & Vertical Cross Sections (2X Buck)	12	Hardware Details
6	Horizontal & Vertical Cross Sections (1X Buck)	13	Bill of Materials & Components
7	Horizontal & Vertical Cross Sections (Direct to Masonry)		

CONFIGURATION	JAMB MATERIAL	DESIGN PRESSURE (PSF) IN SWING		DESIGN PRESSURE (PSF) OUT SWING	
		POSITIVE	NEGATIVE	POSITIVE	NEGATIVE
OX, XO, OXO	FJ PINE	+45.0	-50.0	+50.0	-50.0
	COMPOSITE	+50.0	-50.0	+50.0	-50.0

Documents Prepared By:  
Lyndon F. Schmidt  
P.E. No. 43409

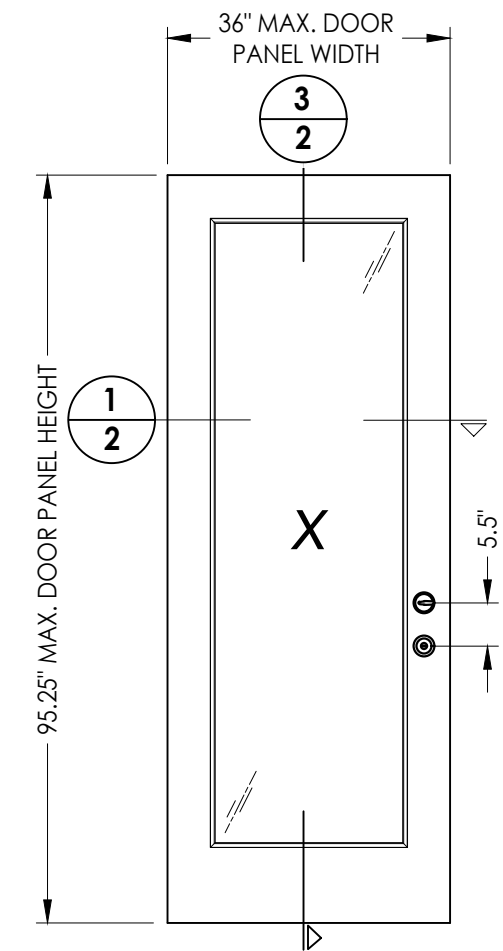
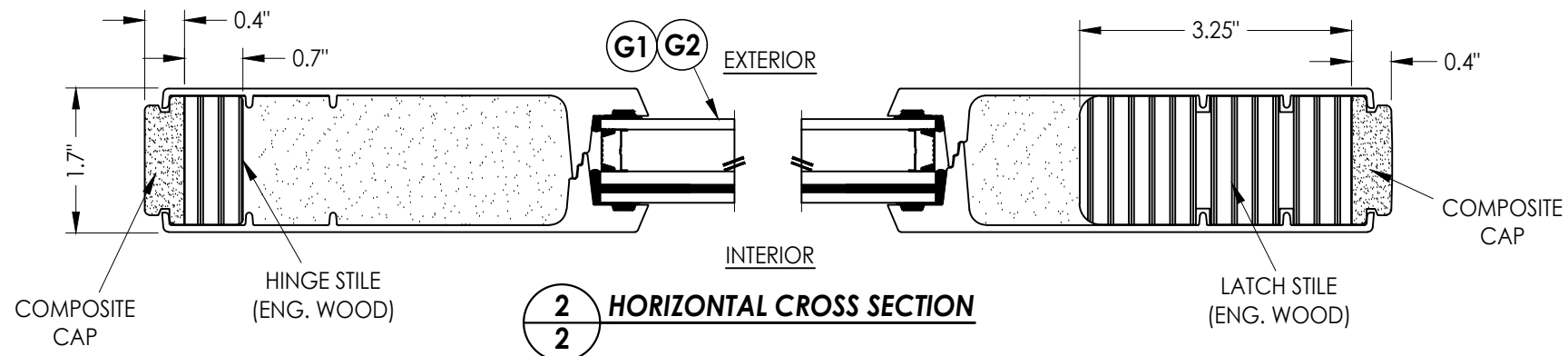
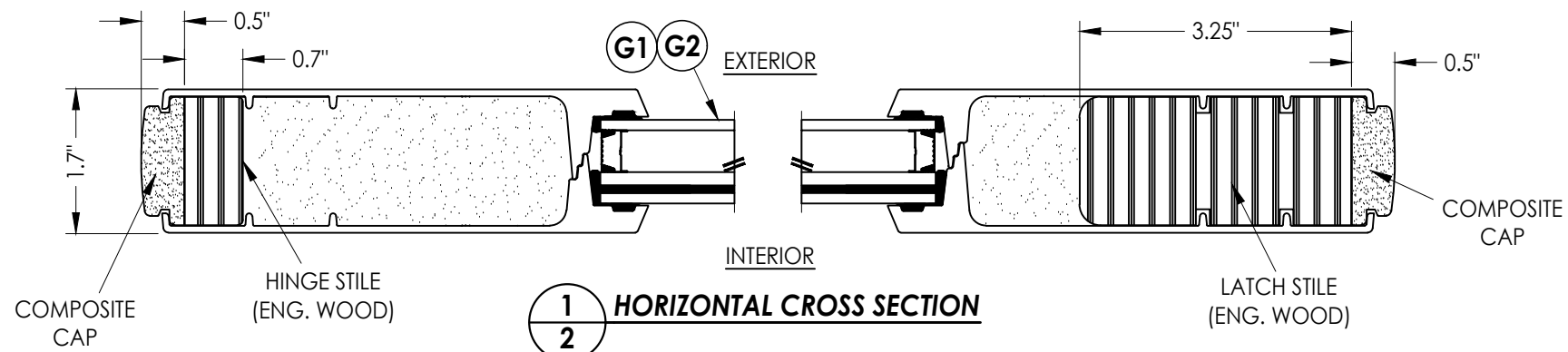
**RW** BUILDING CONSULTANTS, INC.  
P.O. Box 230, Valrico, FL 33595  
Phone No.: 813.659.9197  
FBPE Registry No. 9813

PRODUCT: THERMA-TRU  
FIBERGLASS DOOR

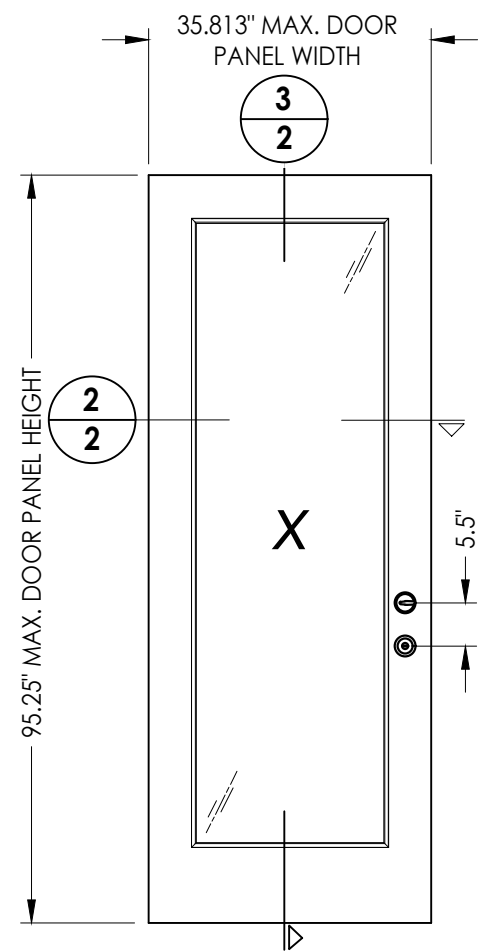
PART OR ASSEMBLY:  
TYPICAL ELEVATION, DESIGN  
PRESSURES & GENERAL NOTES

NO.	DATE	BY	REVISIONS

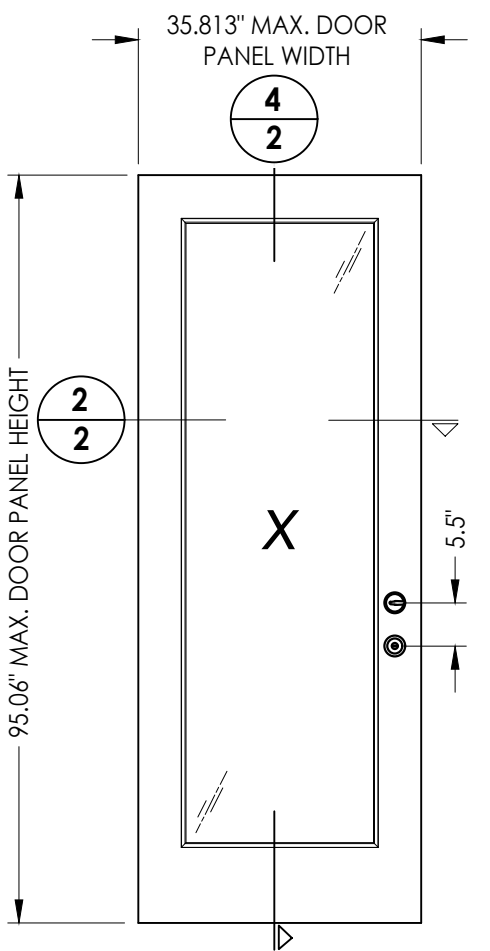
DATE: 6/17/24  
SCALE: N.T.S.  
DWG. BY: LFS  
CHK. BY: RW  
DRAWING NO.:  
FL-46832.5  
SHEET 1 OF 13



**40 FIBERGLASS DOOR PANEL**  
BOOK DOOR - COMPOSITE EDGE

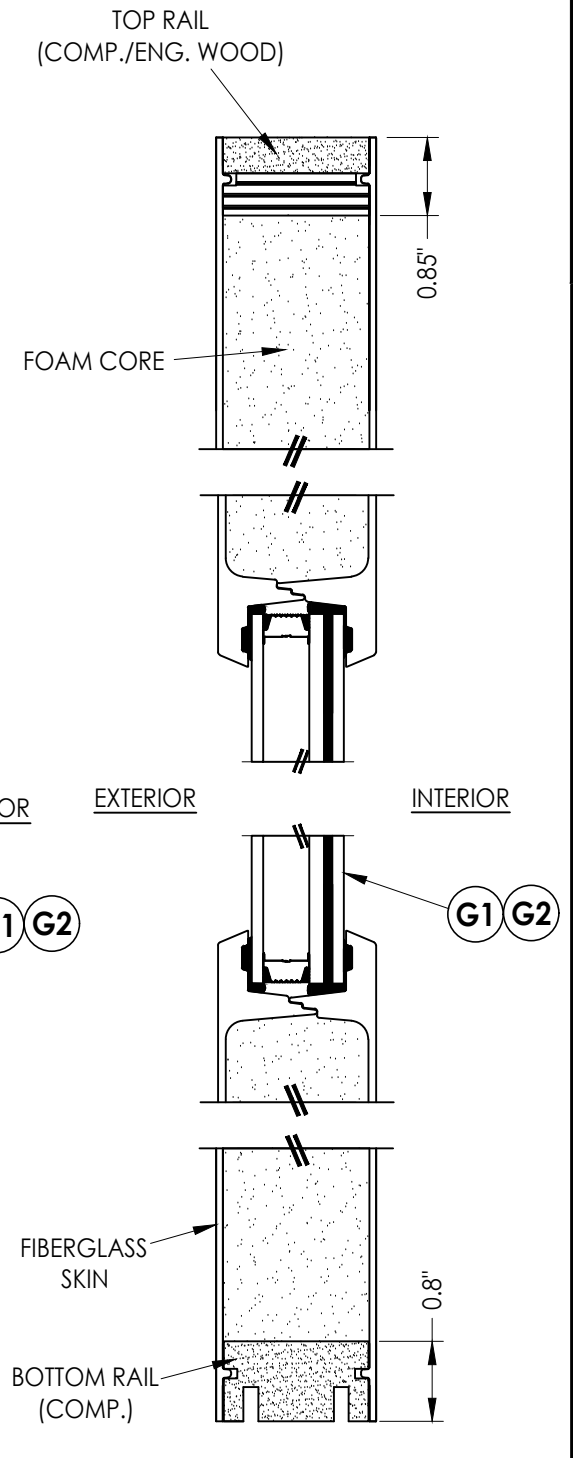
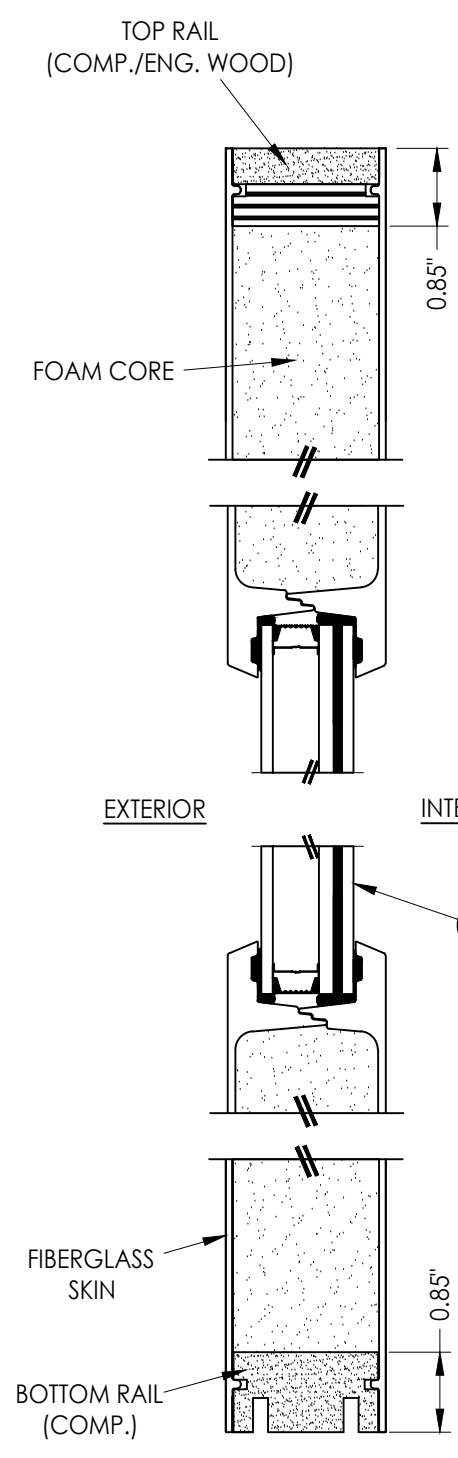


**41 FIBERGLASS DOOR PANEL**  
HYBRID DOOR - COMPOSITE EDGE



**42 FIBERGLASS DOOR PANEL**  
UT DOOR - COMPOSITE EDGE

FIBERGLASS SKIN: 0.077" MIN. THK.  
FOAM CORE: POLYURETHANE -1.9 PCF MIN.



**3**  
**2** **VERTICAL CROSS SECTION**

**4**  
**2** **VERTICAL CROSS SECTION**

Documents Prepared By:  
Lyndon F. Schmidt  
P.E. No. 43409

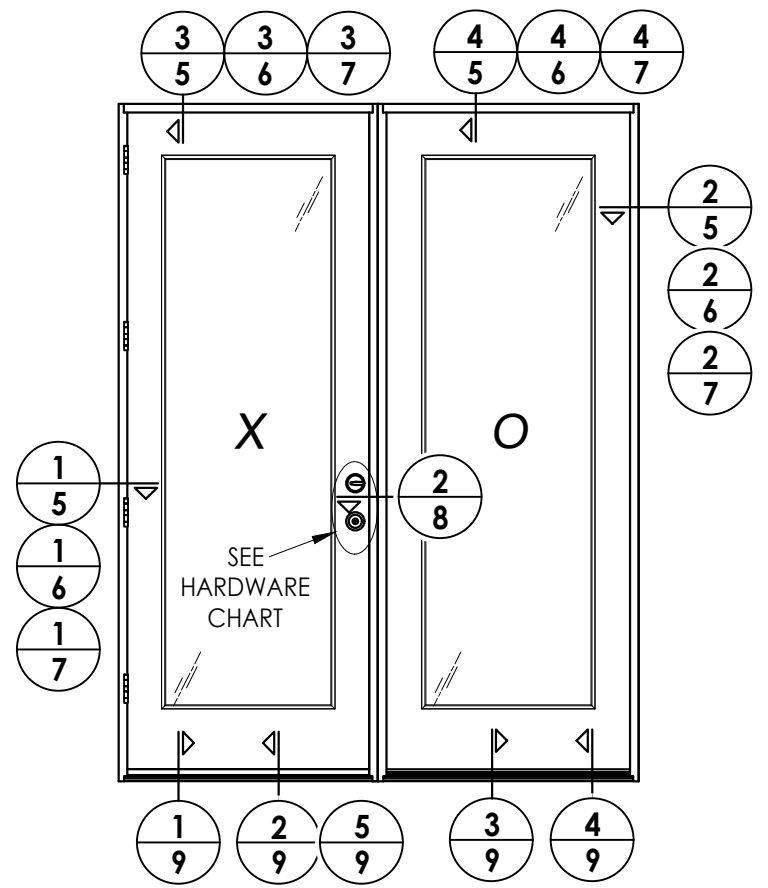
PRODUCT: THERMA-TRU FIBERGLASS DOOR  
PART OR ASSEMBLY: DOOR PANEL DETAILS

NO.	DATE	BY	REVISIONS

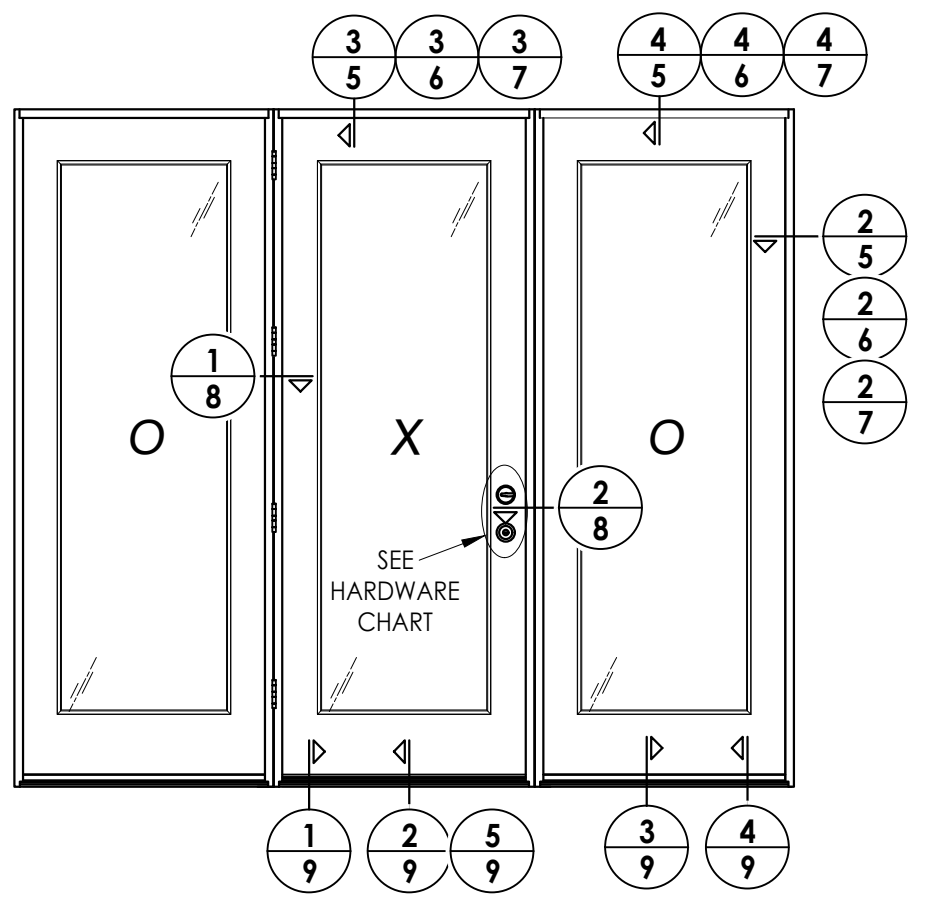
DATE: 6/17/24  
SCALE: N.T.S.  
DWG. BY: LFS  
CHK. BY: RW  
DRAWING NO.: FL-46832.5  
SHEET 2 OF 13

RW BUILDING CONSULTANTS, INC.  
P.O. Box 230, Valrico, FL 33595  
Phone No.: 813.659.9197  
FBPE Registry No. 9813

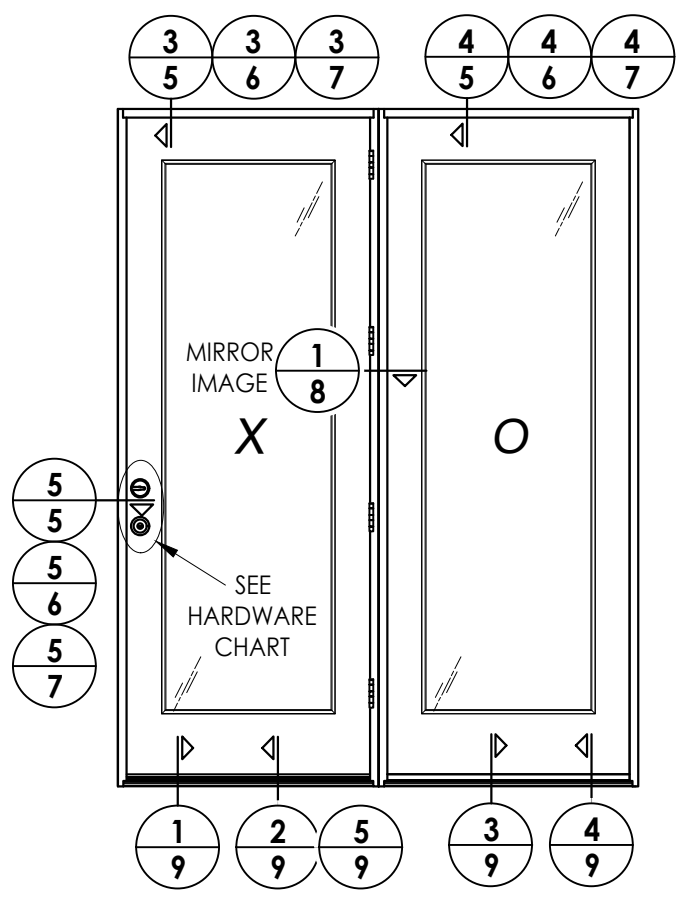




ELEVATION  
XO/OX



ELEVATION  
OXO



ELEVATION  
XO (CENTER HINGE)

HARDWARE TABLE	
MANUFACTURER	MODEL
SCHLAGE	KNOB: F51 DEADBOLT: B60
KWIKSET	KNOB: SIGNATURE SERIES DEADBOLT: SIGNATURE SERIES (980)
HOPPE (THERMA-TRU)	MULTIPOINT : MPDGART (3 pt. Manual Tongue)

Documents Prepared By:  
Lyndon F. Schmidt  
P.E. No. 43409

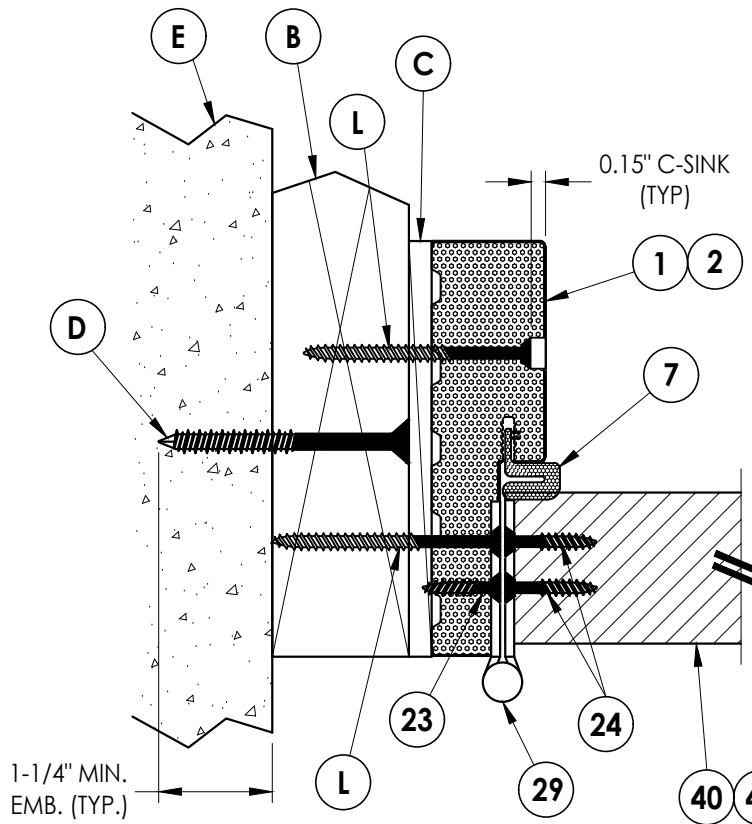
*RW* BUILDING CONSULTANTS, INC.  
P.O. Box 230, Vairico, FL 33595  
Phone No.: 813.659.9197  
FBPE Registry No. 9813

PRODUCT: THERMA-TRU  
FIBERGLASS DOOR

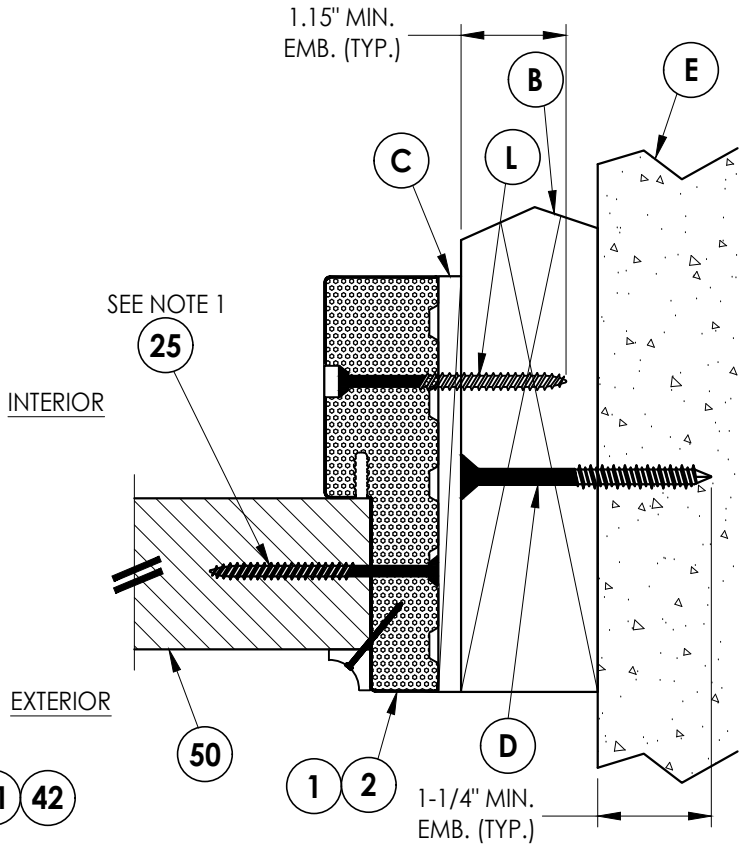
PART OR ASSEMBLY:  
ELEVATIONS

NO.	DATE	BY	REVISIONS

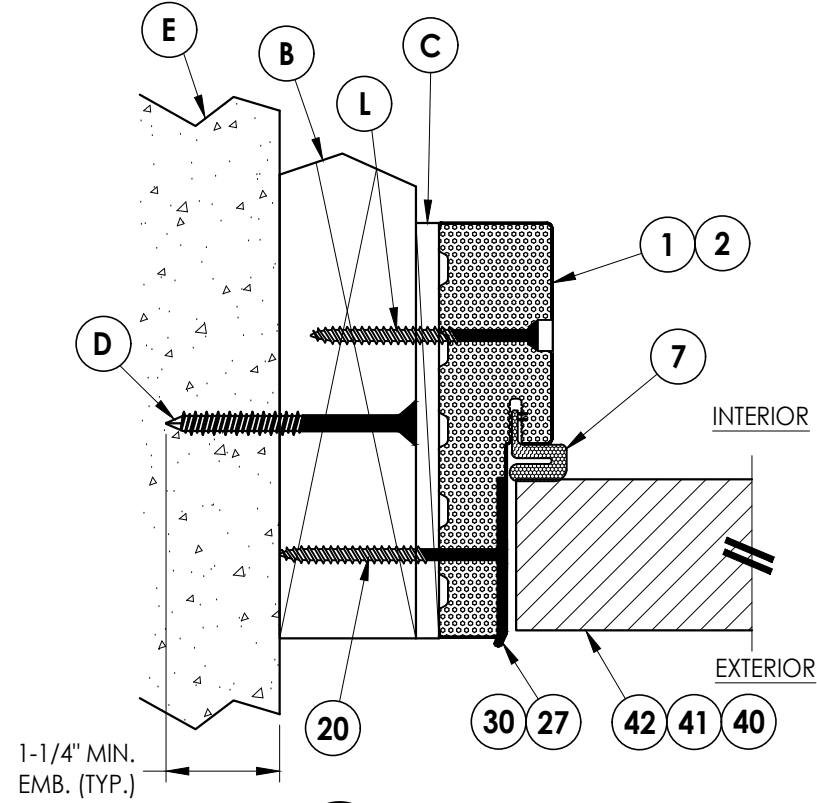
DATE: 6/17/24  
SCALE: N.T.S.  
DWG. BY: LFS  
CHK. BY: RW  
DRAWING NO.: FL-46832.5  
SHEET 4 OF 13



**1 HORIZONTAL CROSS SECTION**  
**5** Shown w/ 2X Buck  
 Outswing shown (Inswing similar)

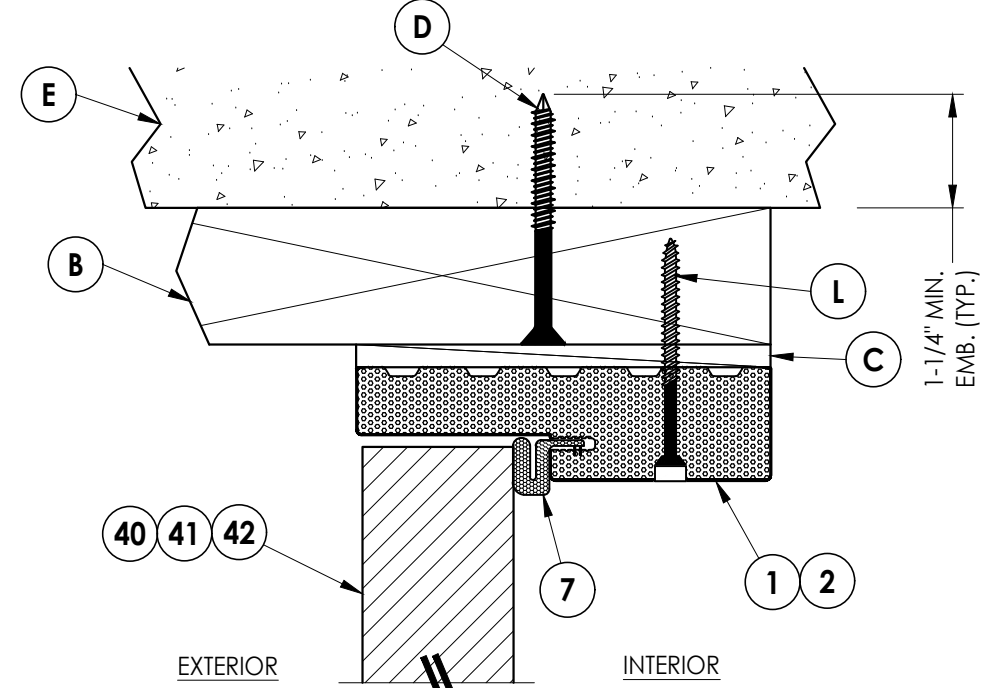


**2 HORIZONTAL CROSS SECTION**  
**5** Shown w/ 2X Buck  
 Outswing shown (Inswing similar)

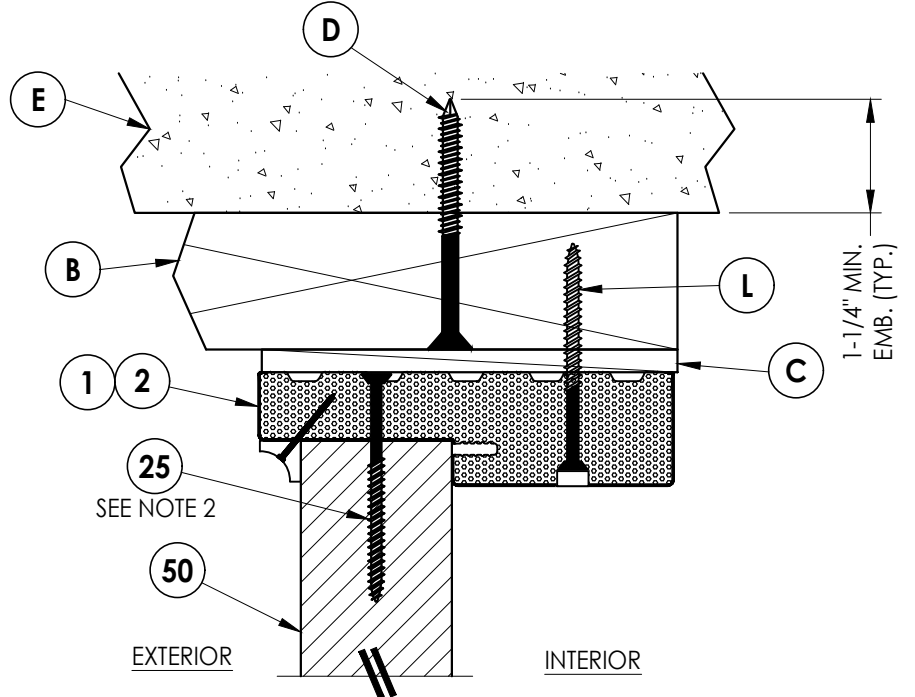


**5 HORIZONTAL CROSS SECTION**  
**5** Shown w/ 2X Buck  
 Outswing shown (Inswing similar)

- Notes:
1. Sidelite assembly screws located 6" from each end and 6 more screws equally spaced between (8 screws total per side jamb).
  2. Sidelite assembly screws located 3" from each end and @ centerline (3 screws along head jamb).
  3. PVC/Wood Moulding secured w/ 16 GA. X 1" brad nails located 1" from ends & 10" o.c. max.



**3 VERTICAL CROSS SECTION**  
**5** Shown w/ 2X Buck  
 Outswing shown (Inswing similar)



**4 VERTICAL CROSS SECTION**  
**5** Shown w/ 2X Buck  
 Outswing shown (Inswing similar)

Documents Prepared By:  
 Lyndon F. Schmidt  
 P.E. No. 43409

**RW** BUILDING CONSULTANTS, INC.  
 P.O. Box 230, Vairico, FL 33595  
 Phone No.: 813.659.9197  
 FBPE Registry No. 9813

PRODUCT:  
 THERMA-TRU  
 FIBERGLASS DOOR

PART OR ASSEMBLY:  
 HORIZONTAL & VERTICAL  
 CROSS SECTIONS (2X BUCK)

NO.	DATE	BY	REVISIONS

DATE: 6/17/24  
 SCALE: N.T.S.  
 DWG. BY: LFS  
 CHK. BY: RW  
 DRAWING NO.: FL-46832.5  
 SHEET 5 OF 13

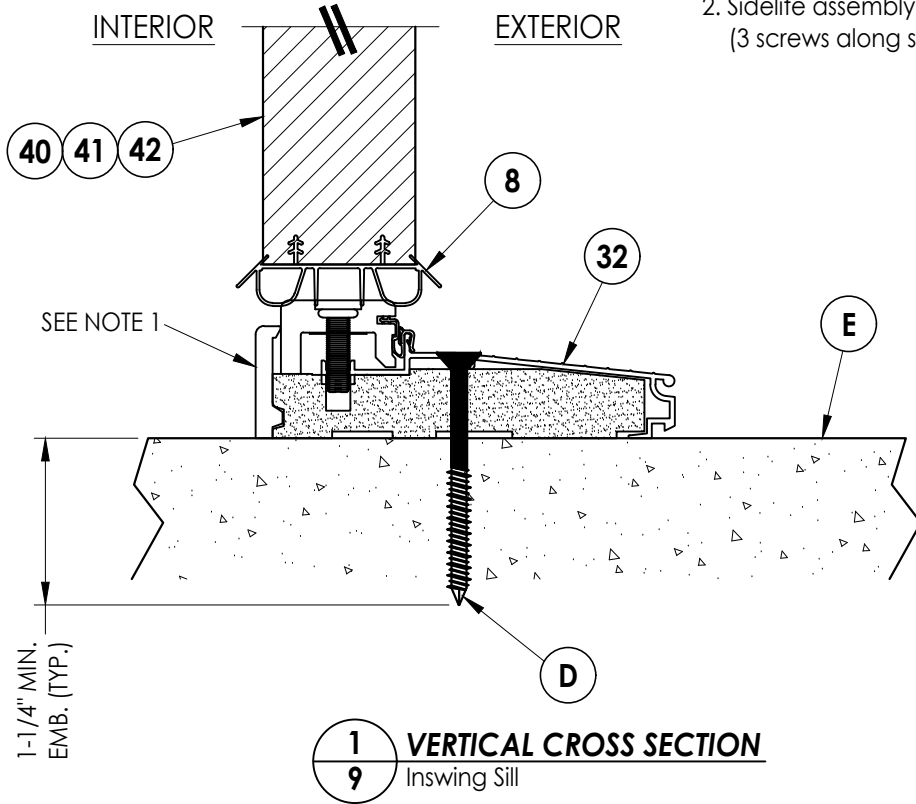




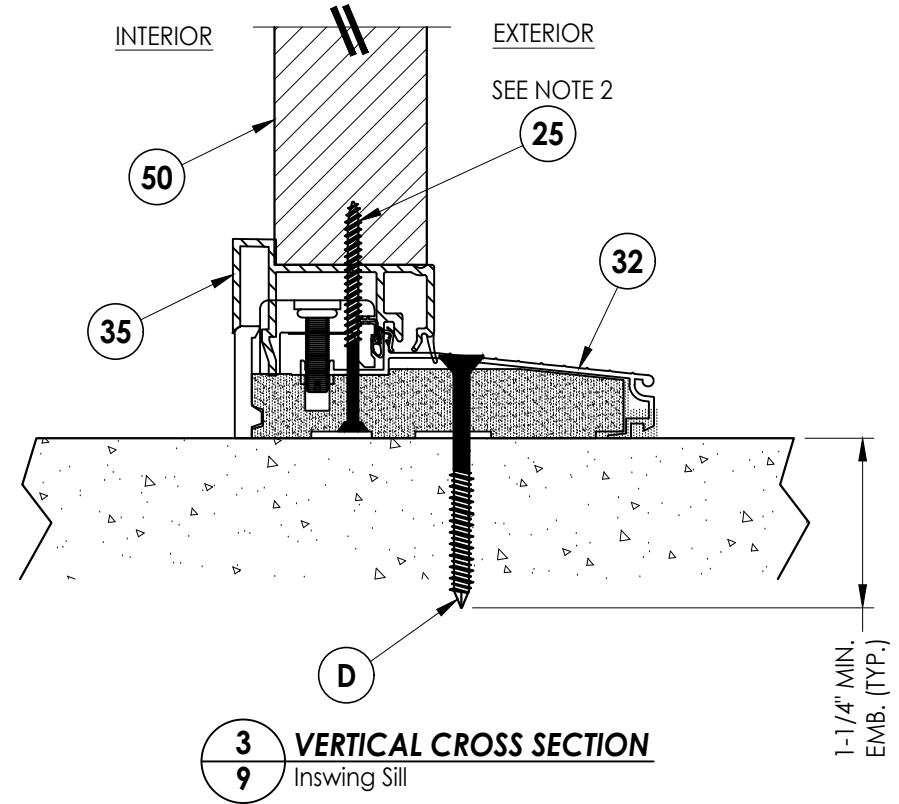




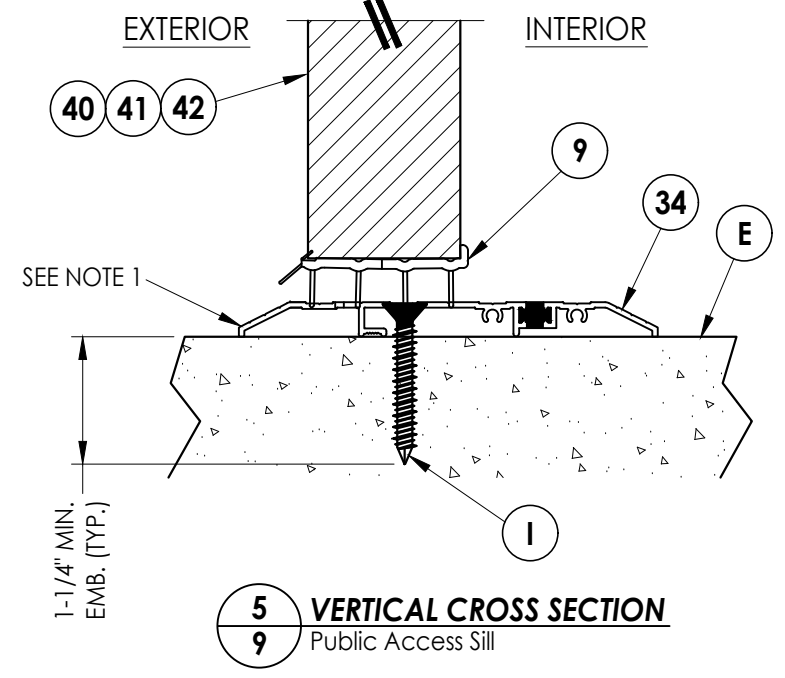
- Notes:  
 1. Sill Item #32 is attached to jambs w/ (3) #8 X 2-1/2" pfh screws at each end.  
 Sill Item #33 is attached to jambs w/ (2) #8 X 2-1/2" pfh screws at each end.  
 Sill Item #34 is attached to jambs utilizing (2) #10 X 2" pph SMS at each end.  
 2. Sidelite assembly screws located 3" from each end and @ centerline  
 (3 screws along sill).



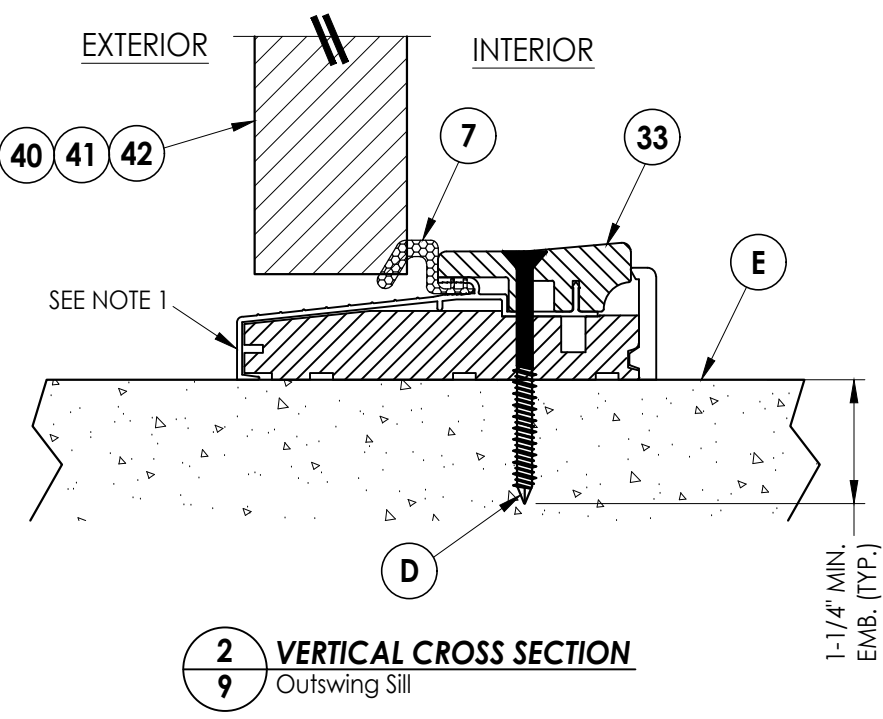
**1** VERTICAL CROSS SECTION  
**9** Inswing Sill



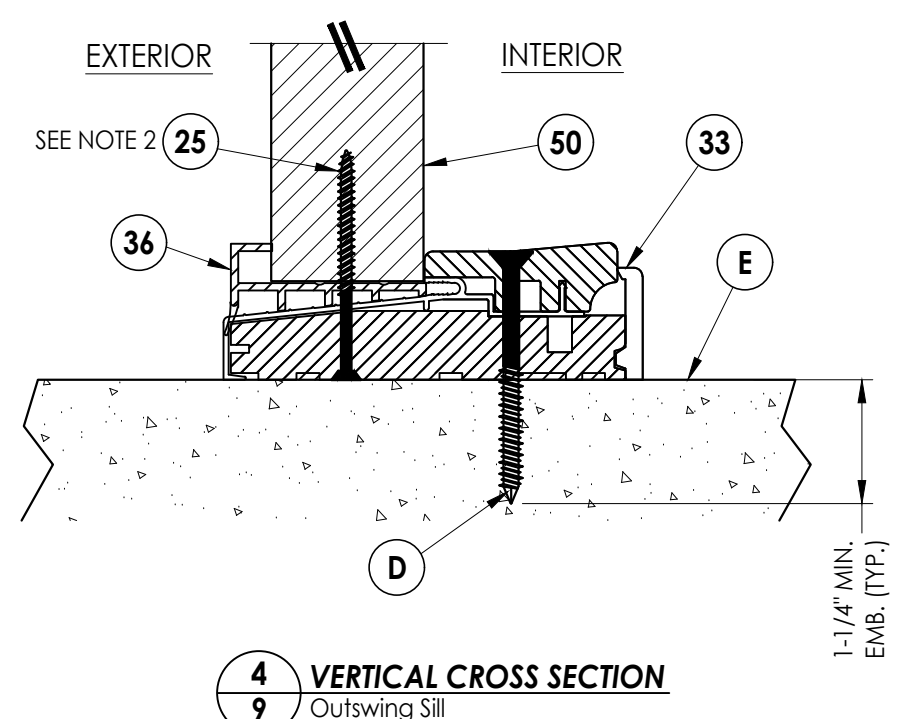
**3** VERTICAL CROSS SECTION  
**9** Inswing Sill



**5** VERTICAL CROSS SECTION  
**9** Public Access Sill



**2** VERTICAL CROSS SECTION  
**9** Outswing Sill



**4** VERTICAL CROSS SECTION  
**9** Outswing Sill

Documents Prepared By:  
 Lyndon F. Schmidt  
 P.E. No. 43409

**RW** BUILDING CONSULTANTS, INC.  
 P.O. Box 230, Valrico, FL 33595  
 Phone No.: 813.659.9197  
 FBPE Registry No. 9813

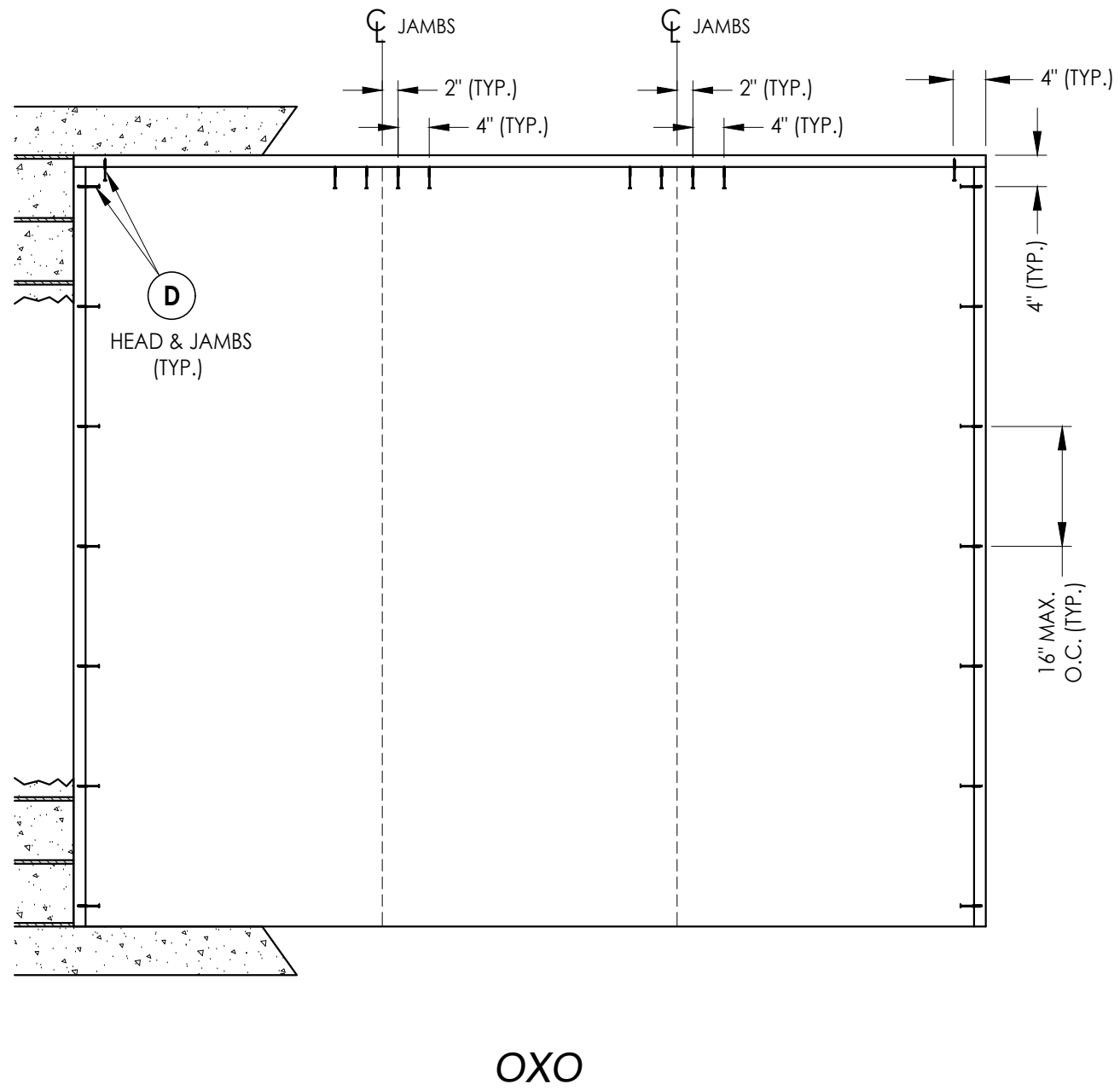
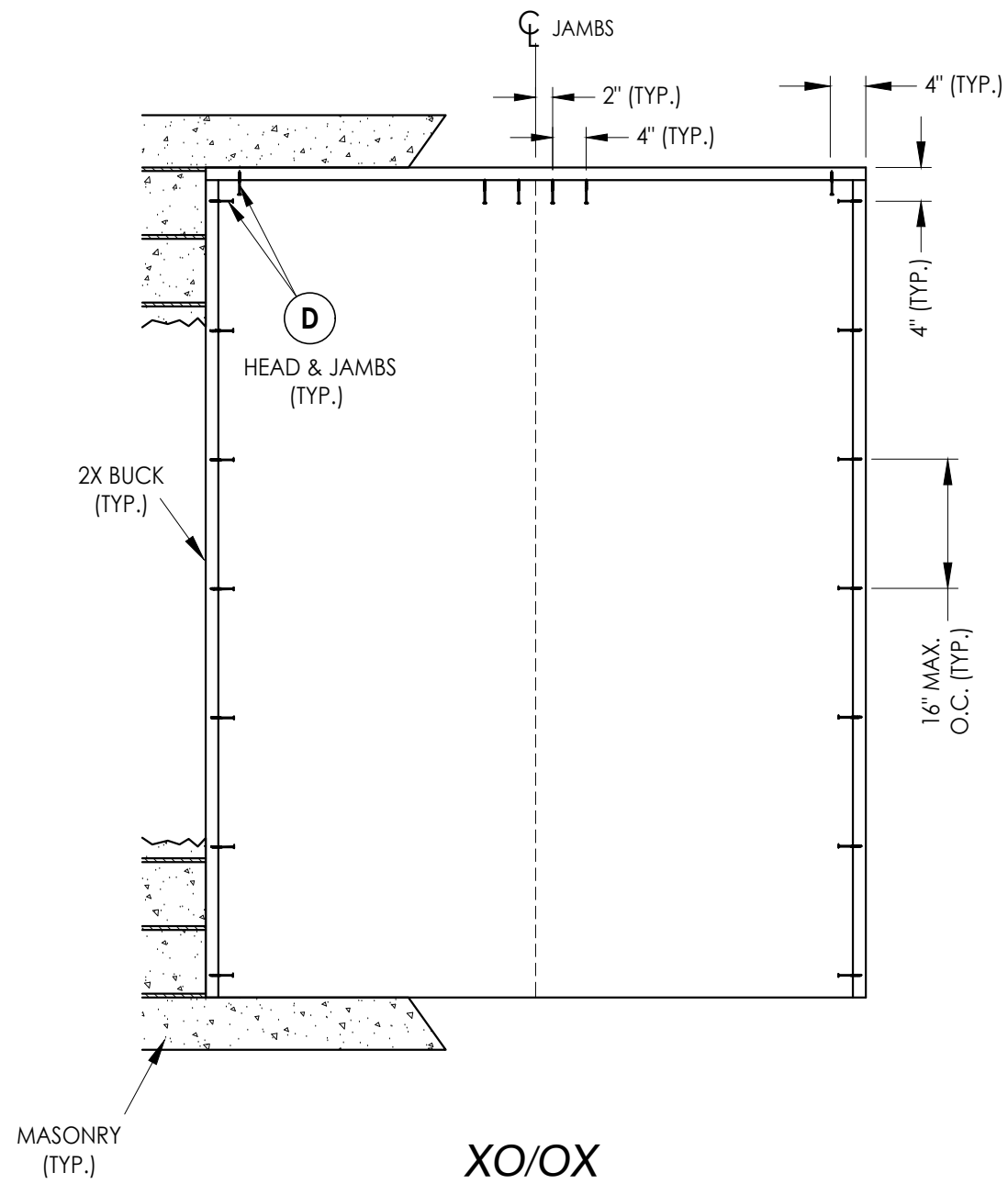
PRODUCT:  
 THERMA-TRU  
 FIBERGLASS DOOR

PART OR ASSEMBLY:  
 VERTICAL CROSS  
 SECTIONS (THRESHOLDS)

NO.	DATE	BY

DATE: 6/17/24  
 SCALE: N.T.S.  
 DWG. BY: LFS  
 CHK. BY: RW  
 DRAWING NO.: FL-46832.5  
 SHEET 9 of 13

Z:\2023 FBC Drawings\Therma-Tru\FL-46832\FL-46832.4-6.dwg



**2X BUCK ANCHORING**

Documents Prepared By:  
Lyndon F. Schmidt  
P.E. No. 43409

**RW** BUILDING CONSULTANTS, INC.  
P.O. Box 230, Valrico, FL 33595  
Phone No.: 813.659.9197  
FBPE Registry No. 9813

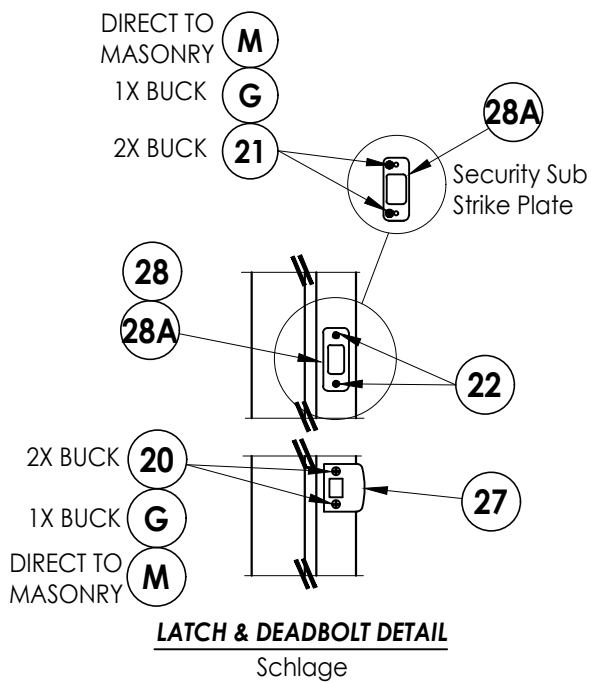
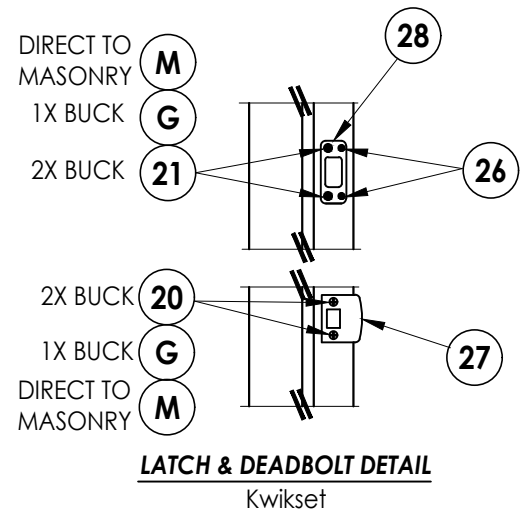
PRODUCT:  
THERMA-TRU  
FIBERGLASS DOOR

PART OR ASSEMBLY:  
BUCK ANCHORING

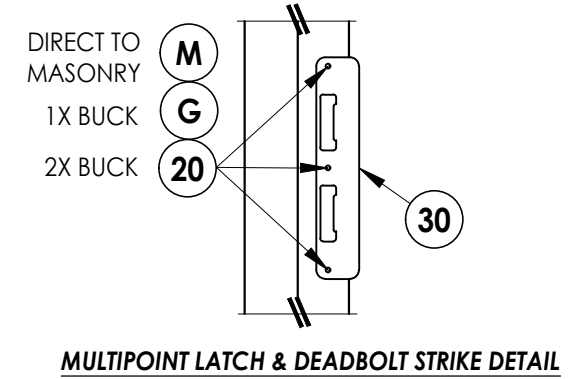
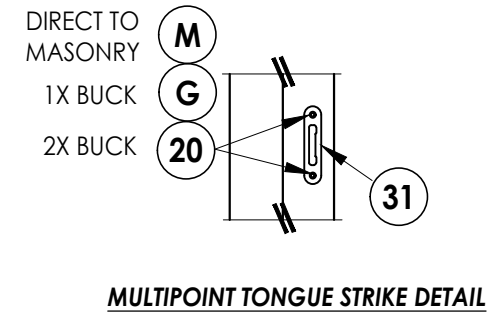
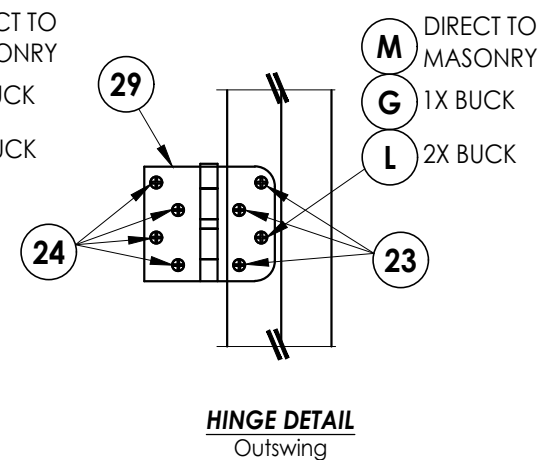
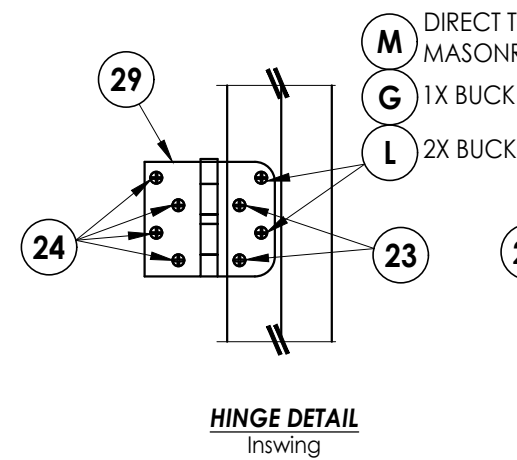
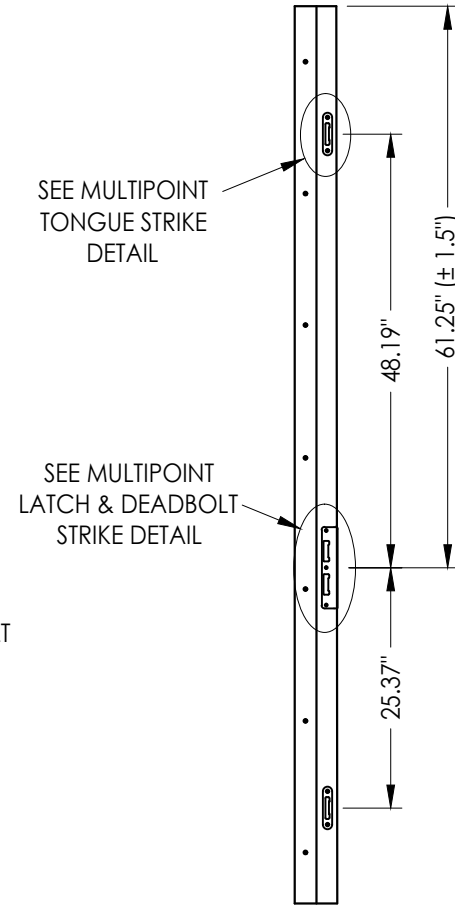
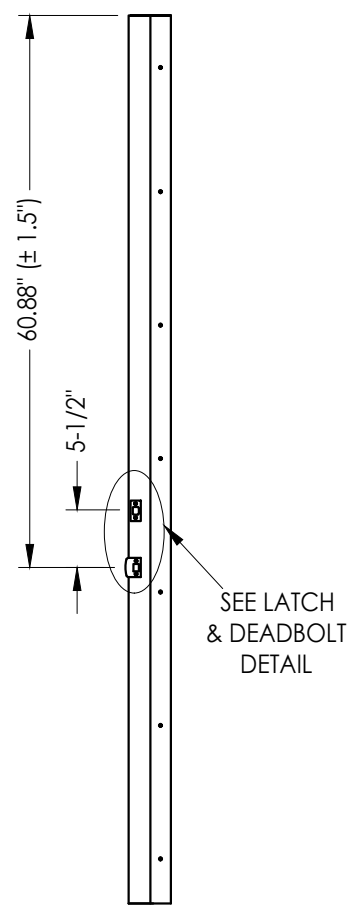
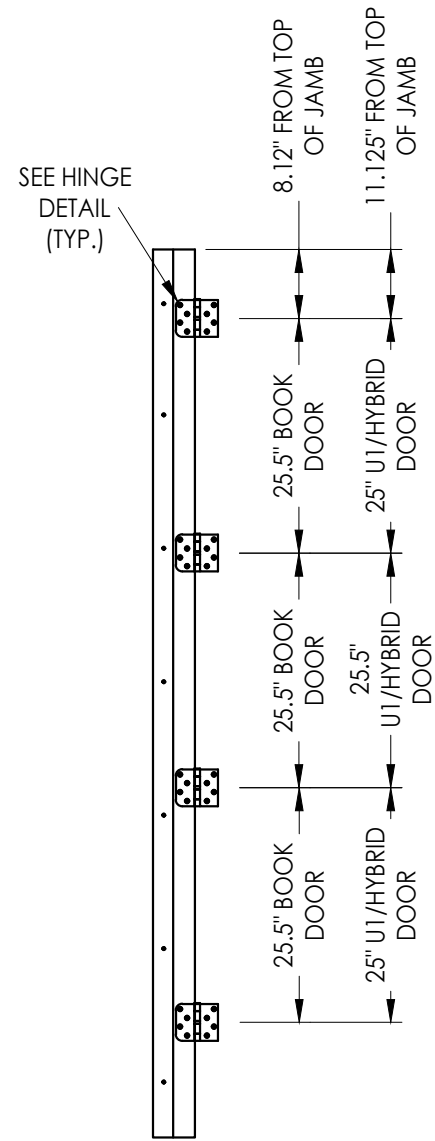
NO.	DATE	BY	REVISIONS

DATE: 6/17/24  
SCALE: N.T.S.  
DWG. BY: LFS  
CHK. BY: RW  
DRAWING NO.: FL-46832.5  
SHEET 10 OF 13





**LATCH & DEADBOLT STRIKE DETAILS**



Documents Prepared By: Lyndon F. Schmidt P.E. No. 43409		RW BUILDING CONSULTANTS, INC. P.O. Box 230, Vairico, FL 33595 Phone No.: 813.659.9197 FBPE Registry No. 9813	
PRODUCT: THERMA-TRU FIBERGLASS DOOR		PART OR ASSEMBLY: HARDWARE DETAILS	
NO.	DATE	BY	REVISIONS
DATE: 6/17/24			
SCALE: N.T.S.			
DWG. BY: LFS			
CHK. BY: RW			
DRAWING NO.: FL-46832.5			
SHEET 12 OF 13			

